

REVISIONS

NO.	날짜	내용	작성자	확인	승인
1	2021-03-20	FOR APPROVAL			
2	2021-03-20	FOR REVISION			
3	2021-03-20	FOR FINAL			

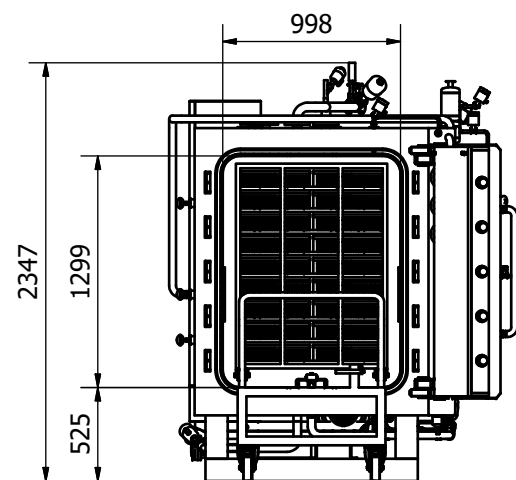
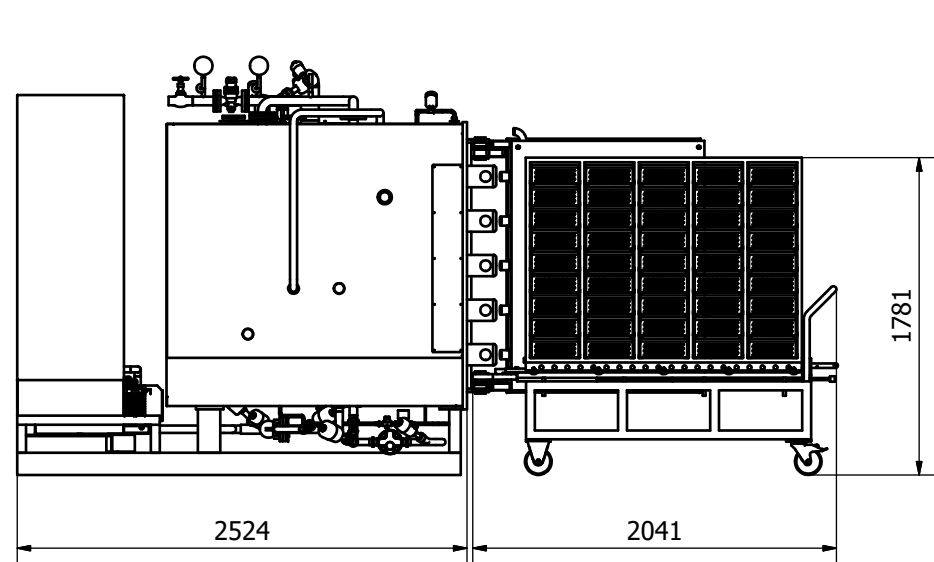
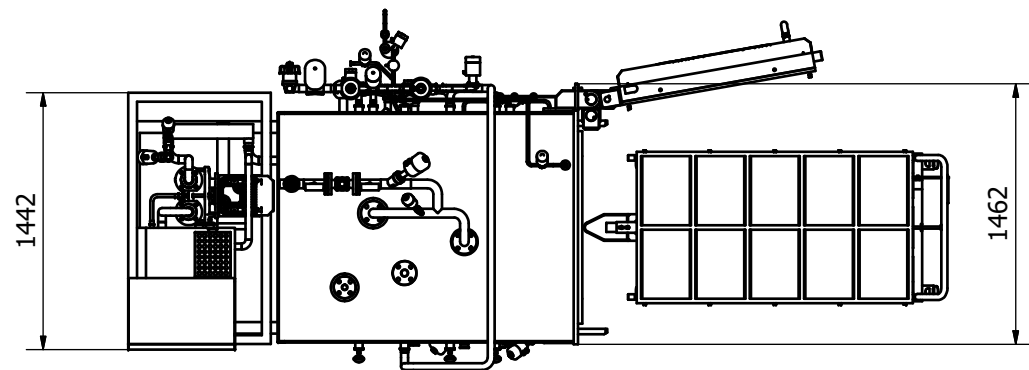
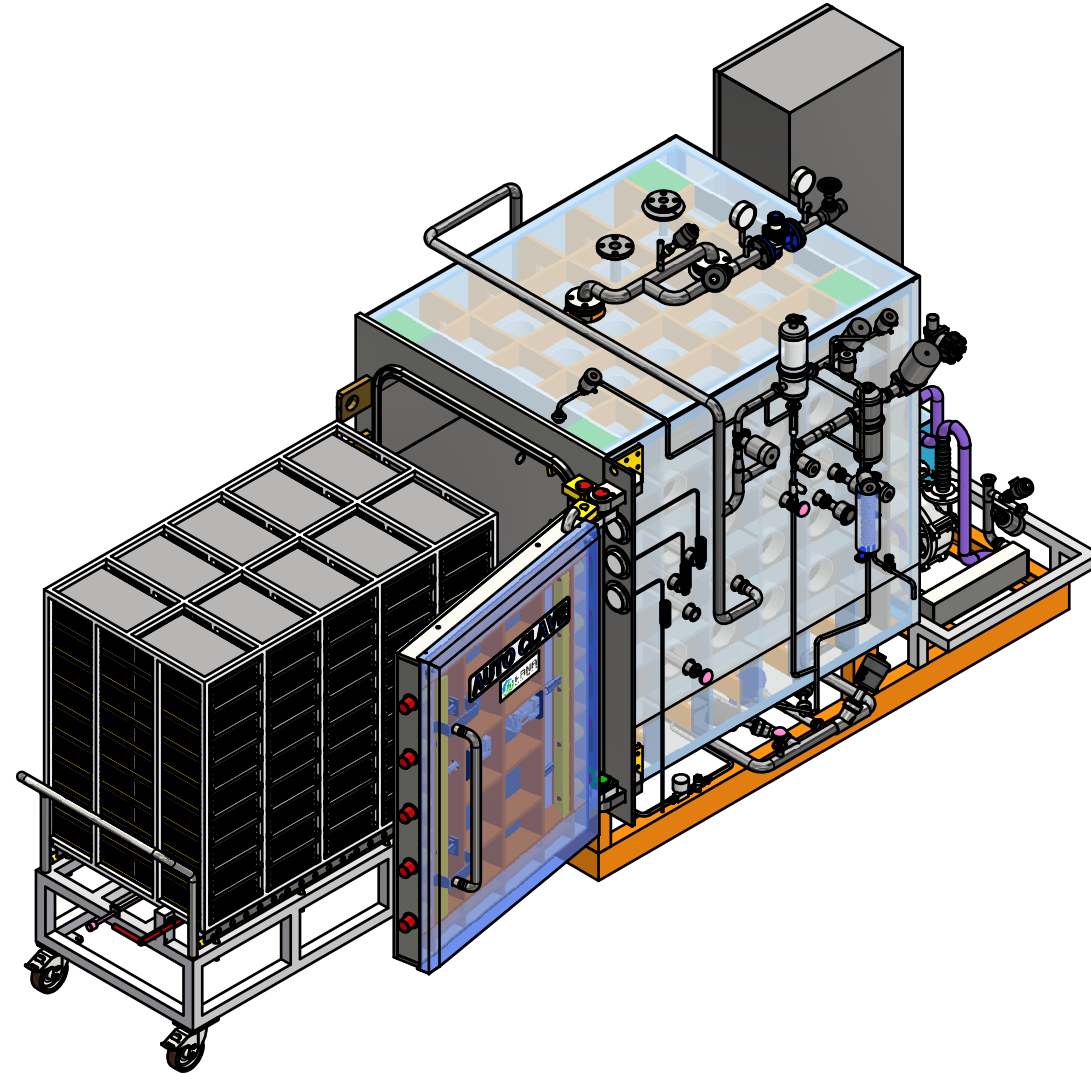
DESIGN DATA


CODE	산업통상자원부 고시 제2019-16호	TYPE	VERTICAL
		SHELL	JACKET
		2 m ²	0.4 m ²
FLUID NAME		PW	STEAM/CW
PRESSURE	DESIGN	-1~0.2 Mpa	0.3 Mpa
	OPERATING	-1~0.15 Mpa	0.25 Mpa
TEST PRESSURE		0.3 Mpa	0.45 Mpa
TEMPERATURE	DESIGN	0~110 ℃	0~120 ℃
	OPERATING	0~100 ℃	0~110 ℃
CORR. ALLOW		0 mm	0 mm
SEISMIC ZONE		-	-
RADIOGRAPHY		20 %	20 %
JOINT EFFICIENCY		-	-

NOTES

- ALL DIMENSIONS ARE IN "MM" UNLESS OTHERWISE NOTED.
- ALL WELD INSIDE SURFACE NOZZLES TO BE FULLY FLUSH
- NOZZLE PROJECTIONS ARE FROM CENTERLINE OF VESSEL OR NEAREST TANGENT LINE TO GASKET FACE OF FLANGE.
- SURFACE FINISH

INTERNAL	0.5	Ra 이하
EXTERNAL	0.6	Ra 이하
- GASKET MATERIAL : TEFLON + SILICON
- MAT'L : ALL A240-316L(BEARING 304)



Order :		Scale : 1 : 30	Weight : 해당 없음
		Dwg no : AUTOCLAVE(S-DOOR) 2.0-01	
Revision	Date	Name	Title :
			Project :
경기도 안산시 단원구 선단로 19번길 174 (북내동) 1st.co.kr 031) 493-6864			