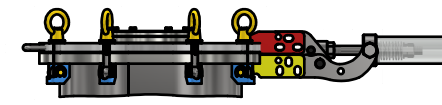
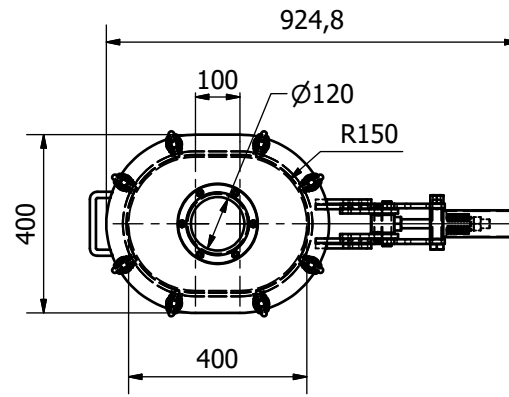
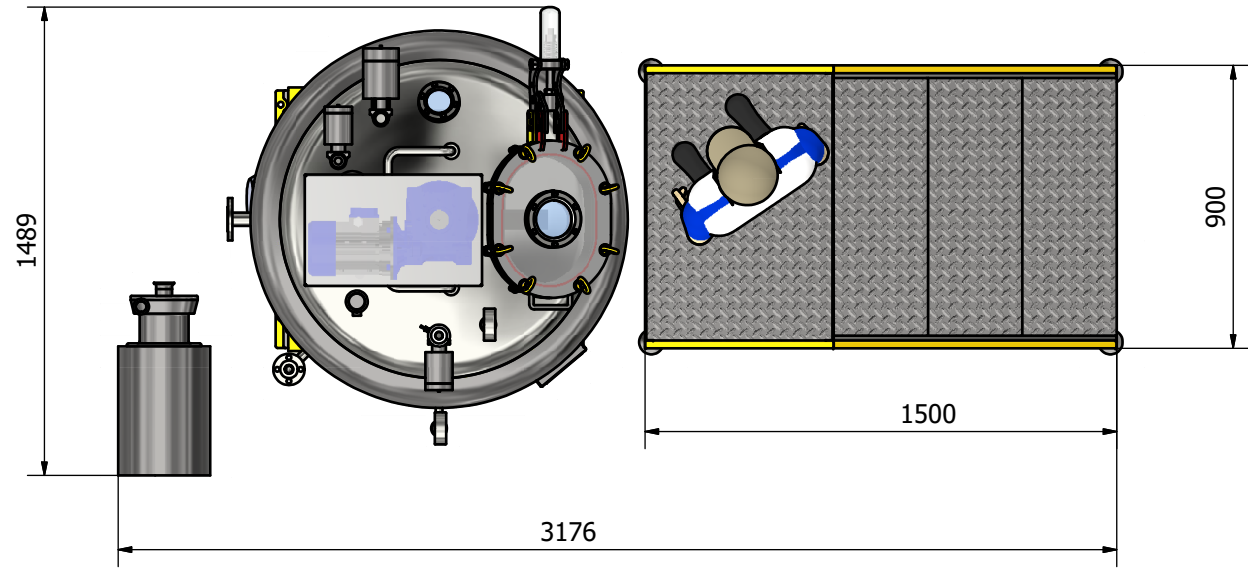


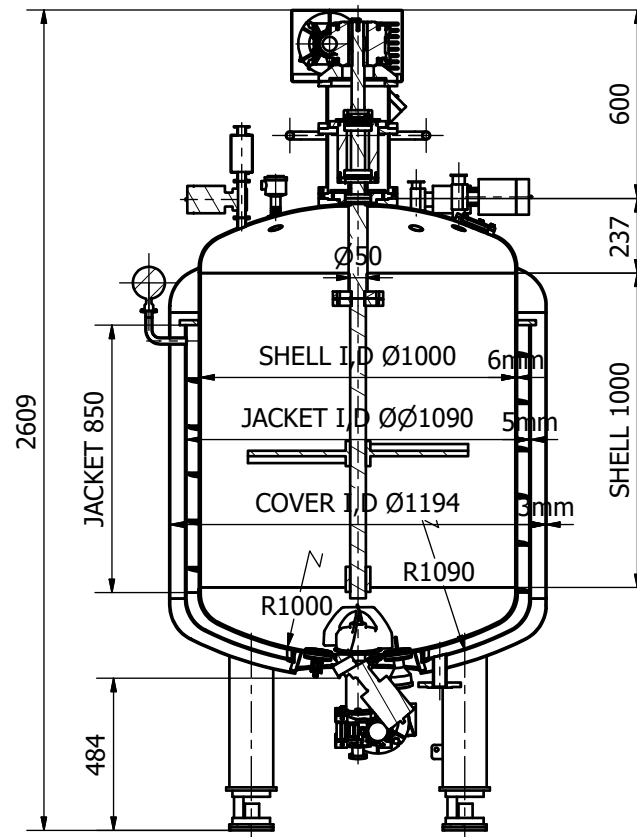
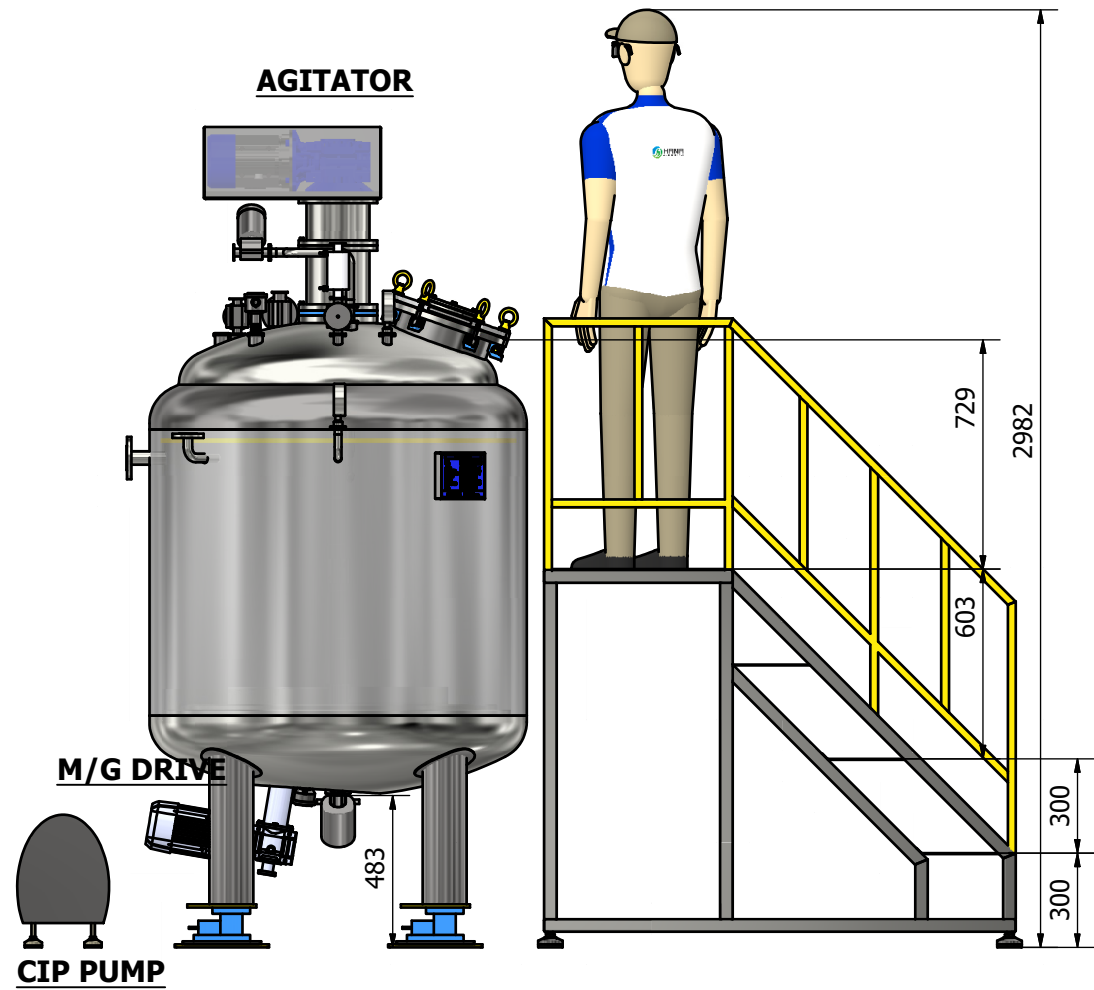
REVISIONS					
NO.	날짜	내용	작성자	확인	승인
1					



**DETAIL OF MANHOLE  
(300x400)**

DESIGN DATA			
CODE	산업통상자원부 고시 제2019-16호	TYPE	VERTICAL
		SHELL	JACKET
		0.8 m <sup>2</sup>	0.2 m <sup>2</sup>
FLUID NAME		WATER	STEAM/CW
PRESSURE	DESIGN	-1~2 Mpa	0.25 Mpa
	OPERATING	-1~0.18 Mpa	0.2 Mpa
TEST PRESSURE		0.3 Mpa	0.375 Mpa
TEMPERATURE	DESIGN	0~130 ℃	0~130 ℃
	OPERATING	0~121 ℃	0~125 ℃
CORR. ALLOW		0 mm	0 mm
SEISMIC ZONE		-	-
RADIOGRAPHY		20 %	20 %
JOINT EFFICIENCY		-	-

NOZZLE TABLE						
MARK	NO. REQ'D	SCH	TYPE	DESIGNATION	VALVE	REMARK
M-1	300x400	10	DWG SEE	MANHOLE HOLE	N/A	TOP
S1	120Φ	-	DWG SEE	SIGHT GLASS	N/A	TOP
L1	100Φ	-	DWG SEE	SIGHT GLASS	N/A	SIDE
N1	1.5S	10	FERRULE	PW INLET(W/DIP PIPE)	A, DA-V/V	TOP
N2	1.5S	10	FERRULE	GAUGE(연성계이지)	N/A	TOP
N3	1S	10	FERRULE	VENT	A, DA-V/V	TOP
N4	1.5S	10	FERRULE	N2 INLET	A, DA-V/V	TOP
N5	1.5S	10	FERRULE	SPRAY BALL CONN(19Φ)	A, DA-V/V	TOP
N6	1.5S	10	FERRULE	RUPTURE	N/A	TOP
N7	1S	-	DWG SEE	SAMPLEING PORT	M, DA-V/V	BOTTOM
N8	1.5S	10	DWG SEE	LIQUID OUTLET	A, DA-V/V	BOTTOM
N9	15A	10	FLANGE	GAUGE(연성계이지)	M, BA-V/V	SIDE
N10	20A	10	FLANGE	SAFETY VALVE	N/A	SIDE
N11	32A	10	FLANGE	STEAM INLET, CW-RE	A, Y-V/V	SIDE
N12	32A	10	FLANGE	STEAM OUTLET, CW-SU	A, Y-V/V	BOTTOM



**SECTION B-B  
(1 : 17)**

Order :	Scale : 1 : 17	Weight : 해당 없음
	Dwg no : LTK800	
Revision	Date	Name
Project :		
경기도 안산시 단원구 선덕로 174 (북내동) 1at.co.kr 031) 493-6864		